

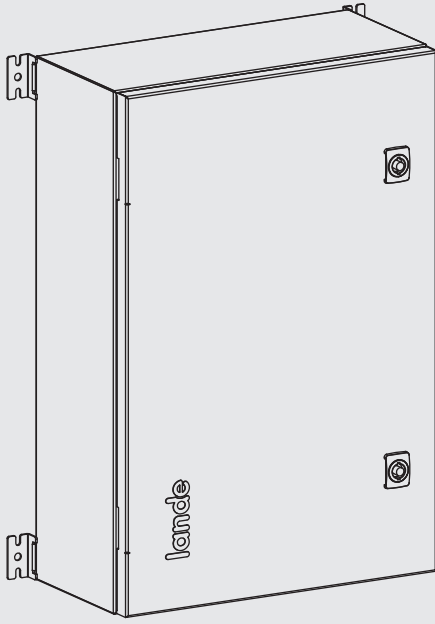


IP66 WALL MOUNTED ENCLOSURES

- * Industrial
- * Automation
- * Electrical
- * VDI
- * Indoor / Outdoor

Wall Mounted Electrical / Automation / Industrial Boxes :

Wall Mounted Industrial / Automation / Electrical Boxes suitable for Electrical Distribution & Automation & Control purposes for indoor & outdoor applications. Wallmount or Pole-fixation. Adaptable for 19" rack units with extra accessories...



1. GENERAL CHARACTERISTICS :

Different sizes for :

Heights (mm) : 300 / 400 / 500 / 600 / 700 / 800 / 1000 / 1200

Widths (mm) : 200 / 300 / 400 / 500 / 600 / 800

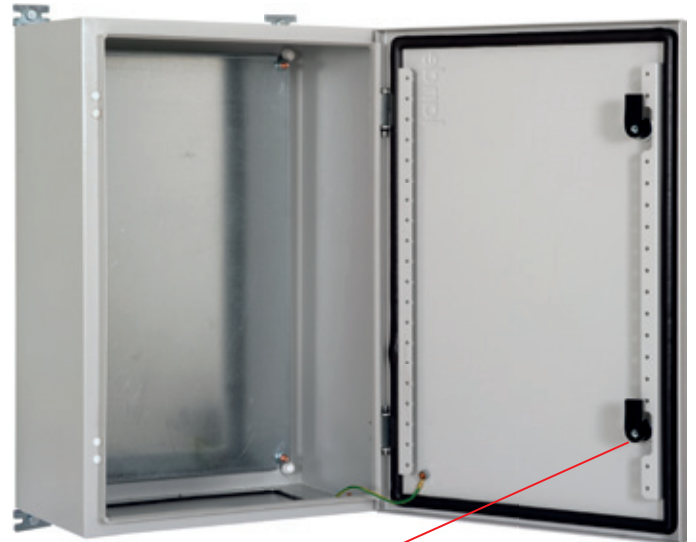
Depths (mm) : 150 / 200 / 250 / 300

- Metallic welded monoblock body for extra strength.
- Bended side edges for better contact with door sealing.
- Narrow side bendings provide large usage area for internal mounting.
- Mounting plate can be pass through easily in or out of box.
- IP66 Protection level against dust & water ingress as per IEC EN60529
- IK10 Mechanical impact resistance as per IEC EN62262.
- Metal cabinets painted 70-90µ thickness RAL 7035 fine wrinkle with Nanotechnology to obtain upto 500 hours of salt spray test resistance.
- High chemical resistance.
- Multibended door structure to gain extra strength.
- Reversible doors with single/double lock. Zamak Hinges and edges have high-performance anti-corrosion treatment.
- Poly-urethane seal on door.
- EMKA branded high quality locks
- Vertical Mounting angles with holes on each 25 mm on door.
- Bottom cable entry. Sealed cable access panel at bottom

CONTENTS

PAGE

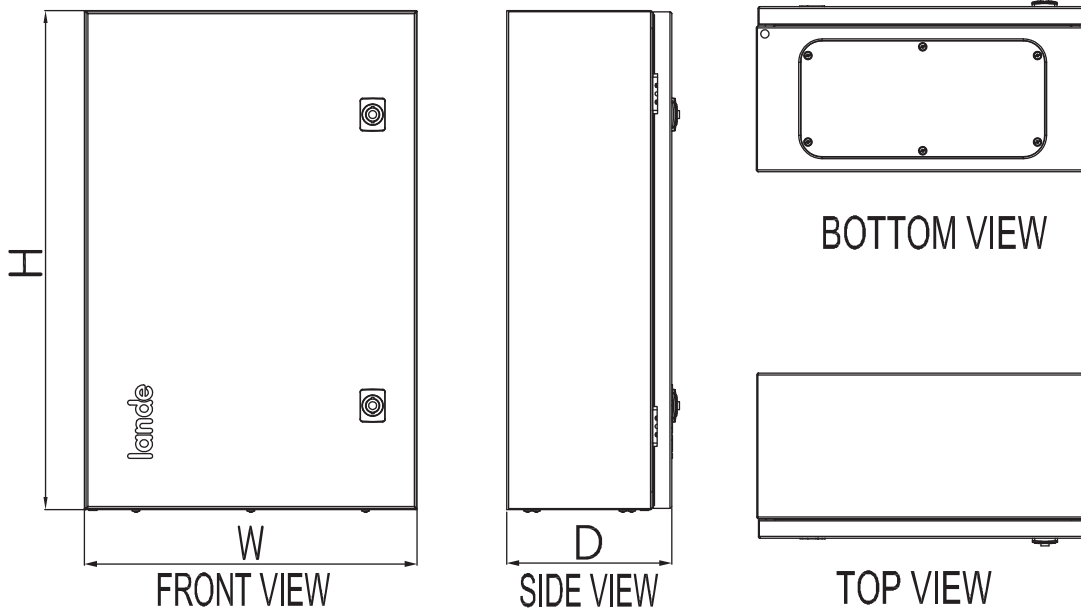
1.	General Characteristics	2
2.	Range	3
3.	Technical Characteristics	4-5
4.	Dimensions	6-7
5.	Equipment & Accessories	8-17



Wall Mounted Electrical / Automation / Industrial Boxes :

Wall Mounted Industrial / Automation / Electrical Boxes suitable for Electrical Distribution & Automation & Control purposes for indoor & outdoor applications. Wallmount or Pole-fixation. Adaptable for 19" rack units with extra accessories...

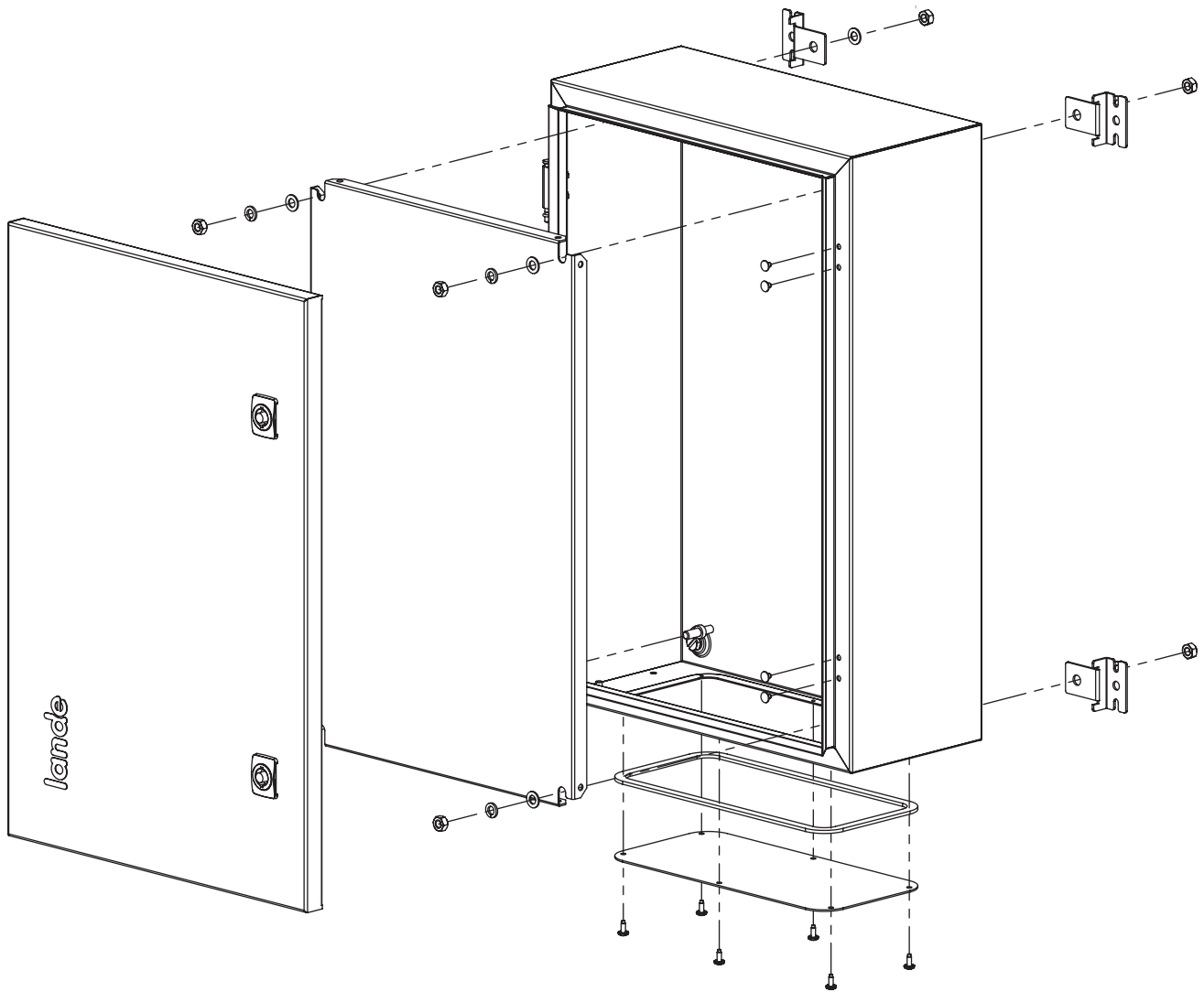
2. RANGE:



Catalog Code	Width (mm.)	Height (mm.)	Depth (mm.)	Bottom Cable Entry (W x D) (mm)	Lock Qty	Hinge Qty
LN203015	200	300	150	119x65	1	2
LN303015	300	300	150	119x65	1	2
LN304015	300	400	150	119x65	1	2
LN405015	400	500	150	119x65	2	2
LN303020	300	300	200	119x65	1	2
LN304020	300	400	200	119x65	1	2
LN403020	400	300	200	269x115	1	2
LN404020	400	400	200	269x115	1	2
LN405020	400	500	200	269x115	2	2
LN406020	400	600	200	269x115	2	2
LN506020	500	600	200	269x115	2	2
LN507020	500	700	200	269x115	2	2
LN608020	600	800	200	269x115	2	2
LN6010020	600	1000	200	269x115	2	3
LN6012020	600	1200	200	269x115	2	3
LN405025	400	500	250	269x115	2	2
LN406025	400	600	250	269x115	2	2
LN505025	500	500	250	269x115	2	2
LN506025	500	600	250	269x115	2	2
LN507025	500	700	250	269x115	2	2
LN604025	600	400	250	469x150	1	2
LN606025	600	600	250	469x150	2	2
LN608025	600	800	250	469x150	2	2
LN6010025	600	1000	250	469x150	2	3
LN6012025	600	1200	250	469x150	2	3
LN8010025	800	1000	250	469x150	2	3
LN608030	600	800	300	469x150	2	2
LN6010030	600	1000	300	469x150	2	3
LN6012030	600	1200	300	469x150	2	3
LN808030	800	800	300	469x150	2	2
LN8010030	800	1000	300	469x150	2	3
LN8012030	800	1200	300	469x150	2	3

Wall Mounted Electrical / Automation / Industrial Boxes :

Wall Mounted Industrial / Automation / Electrical Boxes suitable for Electrical Distribution & Automation & Control purposes for indoor & outdoor applications. Wallmount or Pole-fixation. Adaptable for 19" rack units with extra accessories...



3. TECHNICAL CHARACTERISTICS:

3.1. Material & Shipment Configuration:

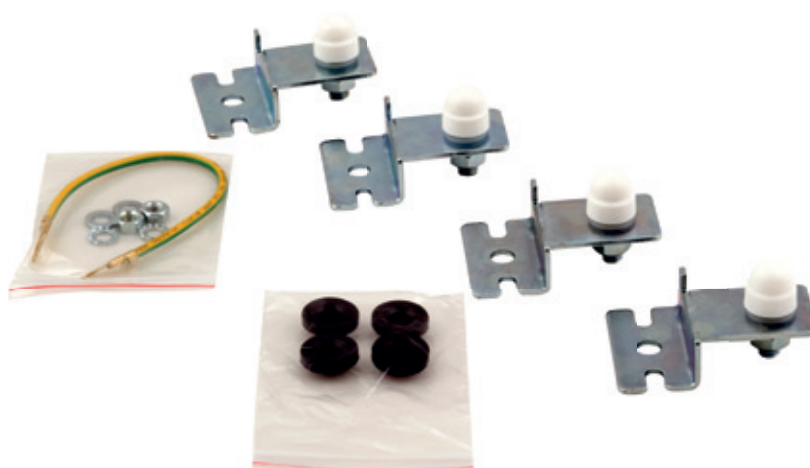
TECHNICAL CHARACTERISTICS : MATERIAL & SHIPMENT CONFIGURATION			
Part Definition	Material Quality	Material Thickness	Shipment Configuration
Main Body (Structure)	DIN EN 10130 - DC-01 - 6112 CRS	1,20 mm	1ea.
Door (with polyurethane seal)	DIN EN 10130 - DC-01 - 6112 CRS	1,00 mm	1ea.
Mounting Plate	DIN EN 10130 - DC-01 - 6112 CRS	1,50 mm	1ea.
Cable Access/Gland Plate	DIN EN 10130 - DC-01 - 6112 CRS	1,50 mm	1ea.
Mounting Brackets	DIN EN 10130 - DC-01 - 6112 CRS	2,00 mm	4ea.
Service Pack	4 pcs Mounting Brackets 1 set Grounding Cable 1 set Wall Mounting Fittings 2 pcs of Keys		1ea.

Wall Mounted Electrical / Automation / Industrial Boxes :

Wall Mounted Industrial / Automation / Electrical Boxes suitable for Electrical Distribution & Automation & Control purposes for indoor & outdoor applications. Wallmount or Pole-fixation. Adaptable for 19" rack units with extra accessories...

3.1. Material & Shipment Configuration (Continue):

- Main Structure is welded with central band & top cover & bottom cover. Multi bended body and welding give extra strength against weight loading and external impact to frame
- Door structure is produced with multibendings to obtain rigidity / strength and planarity. Full contact with sealing gasket for better IP ratings.
- Mounting plate is pre-galvanised material, and 4 side-bended for sizes starting height of 500 mm boxes , to provide rigidity during device mounting and cabling.
- Cable gland plate is a flat plate to obtain dust & water ingrees from cable entry zone at the bottom of box with extra sealing gasket.
- Mounting brackets have extra strength to provide better weight loading without deformation.



3.2. Compatibility to Protection Ratings :

- IP66 according to IEC Standard EN 60529. Fully protected against dust and fully protected against water ingress.
- IK10 according to IEC standard EN 62262 (EN50102)

3.3. Mechanical Resistance :

- Max. Loading capacity : 500 kg/m³.
- Max. Loading capacity on door : 5 kg per 100 mm of height.
- Max. Static load on set of 4 mounting brackets : 250 kg

3.4. Properties of Epoxy-Polyester Coating :

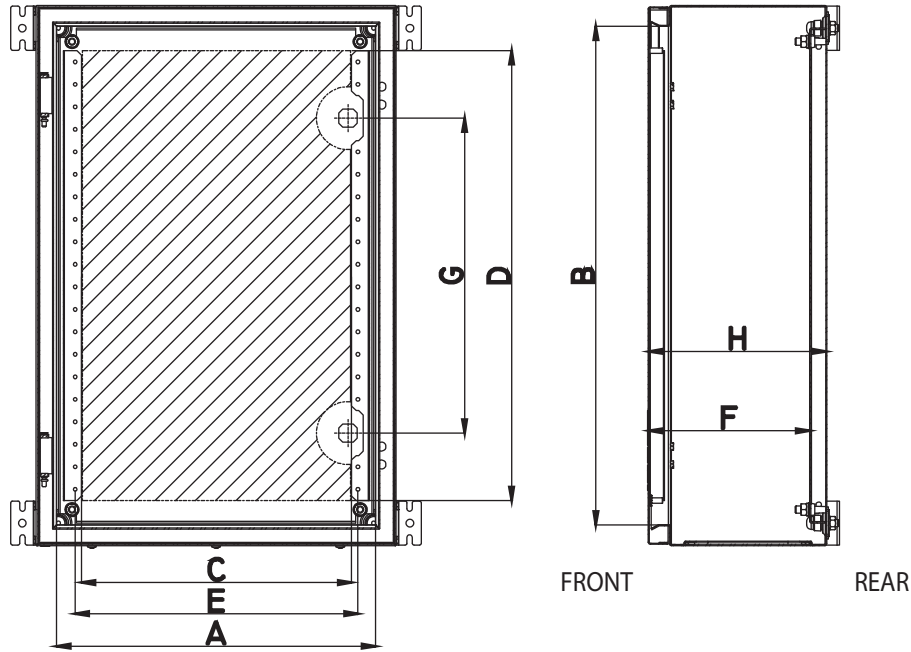
- Application of an 70-90µm thickness coating Henkel Bonderite Nanotechnology application
- 500 hours of Salt Spray test resistance.
- Adhesion capability EN ISO 2409 : Class 0 to 1.
- Operating temperature: -25C to +70C degree
- Coating Process :
 - Degreasing
 - Double Rinsing
 - D.I. Rinsing
 - Nano Zirconium based coating with Henkel Bonderite Nanotechnology
 - D.I. Rinsing

Wall Mounted Electrical / Automation / Industrial Boxes :

Wall Mounted Industrial / Automation / Electrical Boxes suitable for Electrical Distribution & Automation & Control purposes for indoor & outdoor applications. Wallmount or Pole-fixation. Adaptable for 19" rack units with extra accessories...

4. DIMENSIONS:

4.1. Doors:



Catalog Code	Enclosure Size			Enclosure Open Size		Useful Door Dimensions			Useful Depth		Lock Positions
	Width (mm.)	Height (mm.)	Depth (mm.)	Width (A) (mm.)	Height (B) (mm.)	Width (C) (mm.)	Height (D) (mm.)	Cable Holder Spacing (E) mm	Door to Base (F) mm	Door to Rear Wall (H) mm	G (mm)
LN203015	200	300	150	154	254	100	200	114	128	146	Single Lock
LN303015	300	300	150	254	254	200	200	214	128	146	Single Lock
LN304015	300	400	150	254	354	200	300	214	128	146	Single Lock
LN405015	400	500	150	354	454	300	400	314	128	146	250
LN303020	300	300	200	254	254	200	200	214	178	196	Single Lock
LN304020	300	400	200	254	354	200	300	214	178	196	Single Lock
LN403020	400	300	200	354	254	300	200	314	178	196	Single Lock
LN404020	400	400	200	354	354	300	300	314	178	196	Single Lock
LN405020	400	500	200	354	454	300	400	314	178	196	250
LN406020	400	600	200	354	554	300	500	314	178	196	350
LN506020	500	600	200	454	554	400	500	414	178	196	350
LN507020	500	700	200	454	654	400	600	414	178	196	450
LN608020	600	800	200	554	754	500	700	514	178	196	550
LN6010020	600	1000	200	554	954	500	900	514	178	196	750
LN6012020	600	1200	200	554	1154	500	1100	514	178	196	950
LN405025	400	500	250	354	454	300	400	314	228	246	250
LN406025	400	600	250	354	554	300	500	314	228	246	350
LN505025	500	500	250	454	454	400	400	414	228	246	250
LN506025	500	600	250	454	554	400	500	414	228	246	350
LN507025	500	700	250	454	654	400	600	414	228	246	450
LN604025	600	400	250	554	354	500	300	514	228	246	Single Lock
LN606025	600	600	250	554	554	500	500	514	228	246	350
LN608025	600	800	250	554	754	500	700	514	228	246	550
LN6010025	600	1000	250	554	954	500	900	514	228	246	750
LN6012025	600	1200	250	554	1154	500	1100	514	228	246	950
LN8010025	800	1000	250	754	954	700	900	714	228	246	750
LN608030	600	800	300	554	754	500	700	514	278	296	550
LN6010030	600	1000	300	554	954	500	900	514	278	296	750
LN6012030	600	1200	300	554	1154	500	1100	514	278	296	950
LN808030	800	800	300	754	754	700	700	714	278	296	550
LN8010030	800	1000	300	754	954	700	900	714	278	296	750
LN8012030	800	1200	300	754	1154	700	1100	714	278	296	950

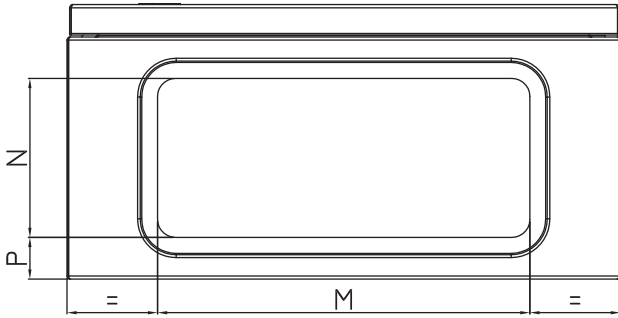
Wall Mounted Electrical / Automation / Industrial Boxes :

Wall Mounted Industrial / Automation / Electrical Boxes suitable for Electrical Distribution & Automation & Control purposes for indoor & outdoor applications. Wallmount or Pole-fixation. Adaptable for 19" rack units with extra accessories...

4. DIMENSIONS (Continue):

4.2. Enclosure Cable Openings (Bottom):

- Cable Entry zone as embossment at the bottom of enclosure
- 3 different size of cutout due to enclosure size
- Provides huge amount of cable passage
- Sealed with gasket access

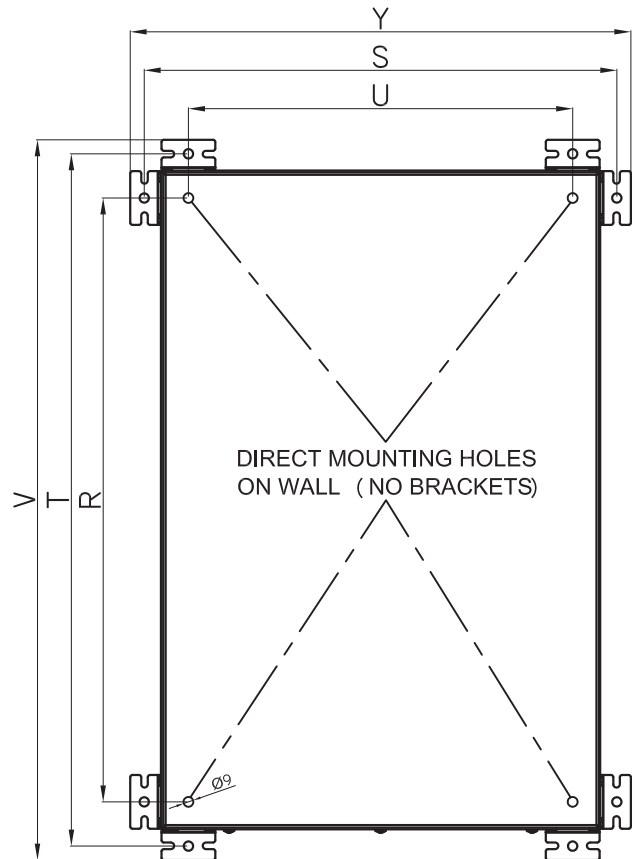


Enclosure Size		Enclosure Open Size		
Width (mm.)	Depth (mm.)	Width (A) (mm.)	Height (B) (mm.)	Width (C) (mm.)
200	150	119	65	30
300	150	119	65	30
300	200	119	65	30
400	150	119	65	30
400	200	269	115	30
500	200	269	115	30
600	200	269	115	30
400	250	269	115	30
500	250	269	115	30
600	250	469	150	45
800	250	469	150	45
600	300	469	150	45
800	300	469	150	45

4.3. Enclosure Mounting Bracket Dimensions (Bottom):

- Mounting brackets can be fixed to four corners of enclosure and gives robust mounting to wall
- Produced from 2,0 mm DC01 material and protected against corrosion by galvanised coating
- Provides extra gap between wall and enclosure
- Different mounting variants can be done (up&down / right to left)

Catalog Code	Enclosure Size		Mounting Bracket Hole Dimensions (mm)					
	Width (mm.)	Height (mm.)	R (mm)	S (mm)	T (mm)	U (mm)	V (mm)	Y (mm)
LN203015	200	300	250	230,5	330,5	150	356	256
LN303015	300	300	250	330,5	330,5	250	356	356
LN304015	300	400	350	330,5	430,5	250	456	356
LN405015	400	500	450	430,5	530,5	350	556	456
LN303020	300	300	250	330,5	330,5	250	356	356
LN304020	300	400	350	330,5	430,5	250	456	356
LN403020	400	300	250	430,5	330,5	350	356	456
LN404020	400	400	350	430,5	430,5	350	456	456
LN405020	400	500	450	430,5	530,5	350	556	456
LN406020	400	600	550	430,5	630,5	350	656	456
LN506020	500	600	550	530,5	630,5	450	656	556
LN507020	500	700	650	530,5	730,5	450	756	556
LN608020	600	800	750	630,5	830,5	550	856	656
LN6010020	600	1000	950	630,5	1030,5	550	1056	656
LN6012020	600	1200	1150	630,5	1230,5	550	1256	656
LN405025	400	500	450	430,5	530,5	350	556	456
LN406025	400	600	550	430,5	630,5	350	656	456
LN505025	500	500	450	530,5	530,5	450	556	556
LN506025	500	600	550	530,5	630,5	450	656	556
LN507025	500	700	650	530,5	730,5	450	756	556
LN604025	600	400	350	630,5	430,5	550	456	656
LN606025	600	600	550	630,5	630,5	550	656	656
LN608025	600	800	750	630,5	830,5	550	856	656
LN6010025	600	1000	950	630,5	1030,5	550	1056	656
LN6012025	600	1200	1150	630,5	1230,5	550	1256	656
LN8010025	800	1000	950	830,5	1030,5	750	1056	856
LN608030	600	800	750	630,5	830,5	550	856	656
LN6010030	600	1000	950	630,5	1030,5	550	1056	656
LN6012030	600	1200	1150	630,5	1230,5	550	1256	656
LN808030	800	800	750	830,5	830,5	750	856	856
LN8010030	800	1000	950	830,5	1030,5	750	1056	856
LN8012030	800	1200	1150	830,5	1230,5	750	1256	856



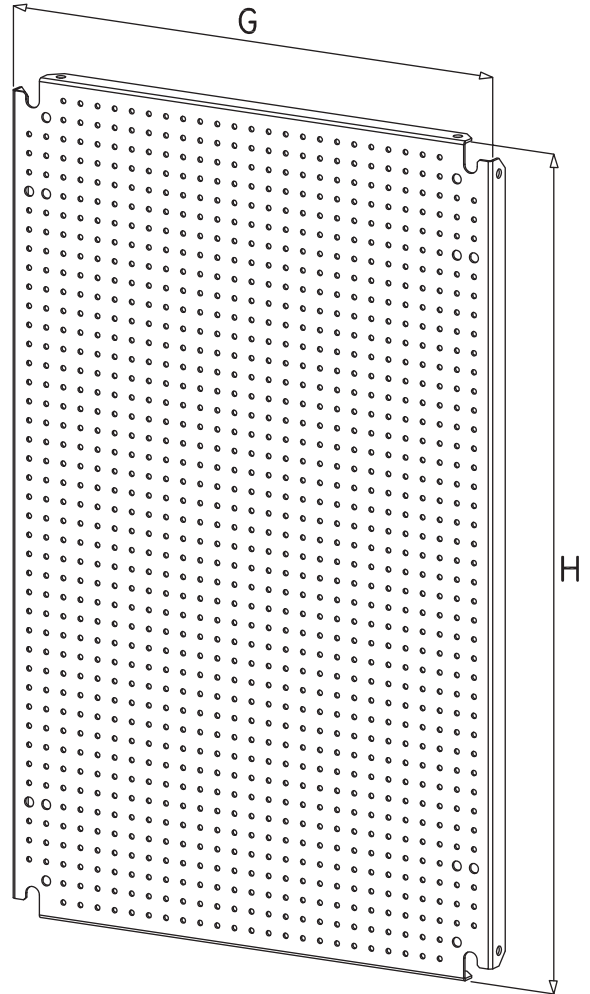
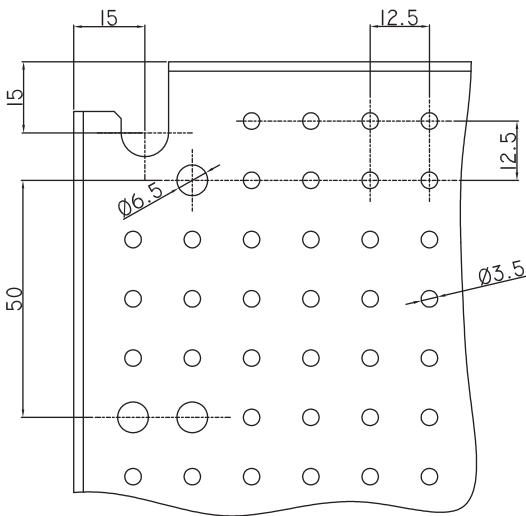
Wall Mounted Electrical / Automation / Industrial Boxes :

Wall Mounted Industrial / Automation / Electrical Boxes suitable for Electrical Distribution & Automation & Control purposes for indoor & outdoor applications. Wallmount or Pole-fixation. Adaptable for 19" rack units with extra accessories...

5. EQUIPMENTS:

5.1. Perforated Mounting Plate:

- Perforated Mounting plates provide easy to fix for cable organisers, DIN Rails and many of components
- Pre-Galvanised raw material
- Same fixing points with original mounting plate
- LN12,5 plain plates has $\varnothing 3,5$ holes in every 12,5 mm on both vertical and horizontal directions



Catalog Code	Enclosure Size		LN-12,5 Plain Plate Dimensions		
	Width (mm.)	Height (mm.)	Edge Type	G (mm)	H (mm)
LN2030 DTS	200	300	Flat	150	250
LN303015	300	300	Flat	250	250
LN3040 DTS	300	400	Flat	250	350
LN403020	400	300	Flat	350	250
LN404020	400	400	Flat	350	350
LN4050 DTS	400	500	Bended	350	450
LN4060 DTS	400	600	Bended	350	550
LN5060 DTS	500	600	Bended	450	550
LN5070 DTS	500	700	Bended	450	650
LN604025	600	400	Bended	550	350
LN606025	600	600	Bended	550	550
LN6080 DTS	600	800	Bended	550	750
LN6010020	600	1000	Bended	550	950
LN6012020	600	1200	Bended	550	1150
LN808030	800	800	Bended	750	750
LN80100 DTS	800	1000	Bended	750	950
LN80120 DTS	800	1200	Bended	750	1150

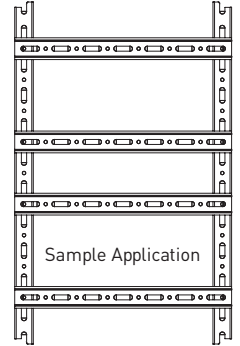
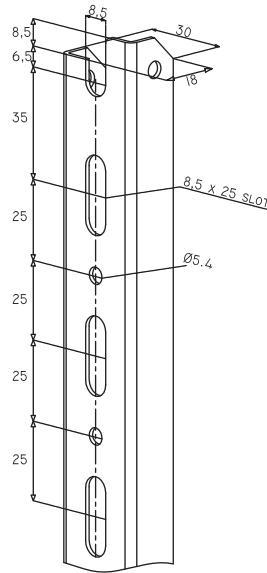
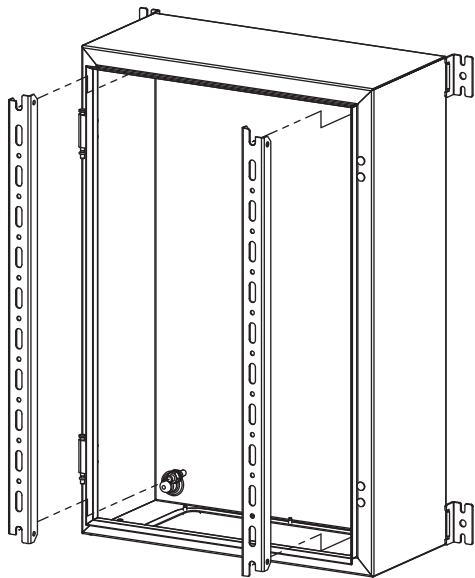
Wall Mounted Electrical / Automation / Industrial Boxes :

Wall Mounted Industrial / Automation / Electrical Boxes suitable for Electrical Distribution & Automation & Control purposes for indoor & outdoor applications. Wallmount or Pole-fixation. Adaptable for 19" rack units with extra accessories...

5. EQUIPMENTS (Continue):

5.2. Vertical Mounting Profile:

- 1 set contains 2 pcs (left-right) of vertical mounting profiles
- Should be mounted in place of Mounting Plate
- DIN Rails or horizontal profiles can be fixed on profiles to mount electrical components & devices
- Electro-assembly can be done externally on profiles and easy to mount into enclosure

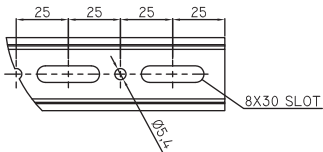


Catalog Code	Enclosure Height (mm)	Profile Height (H) (mm)
LN30 PTS	300	250
LN40 PTS	400	350
LN50 PTS	500	450
LN60 PTS	600	550
LN70 PTS	700	650
LN80 PTS	800	750
LN100 PTS	1000	950
LN120 PTS	1200	1150

5.3. Rails:

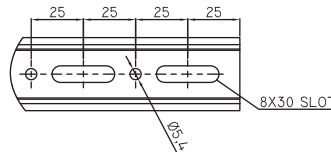
- Two options for rail height & thickness T1: 7,5 mm height / 1 mm thickness ...T2: 15 mm. Height / 1,5 mm thickness
- Produced with Pre-Galvanised Sheet Metal
- Electrical Devices and components can be installed
- Can be mounted on "Vertical Mounting Plate" or "Mounting & Perforated Mounting Plattes"

T1 Option

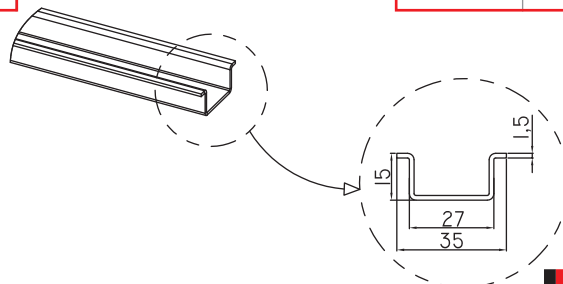
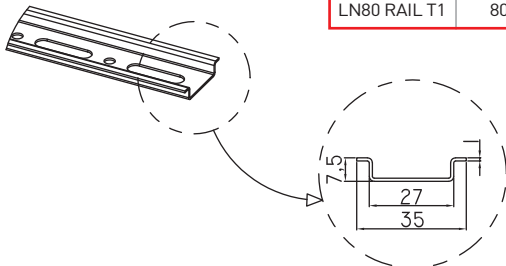


Catalog Code	Enclosure Height (mm)	Rail Height (mm)	Rail Width (mm)
LN30 RAIL T1	300	7,5	250
LN40 RAIL T1	400	7,5	350
LN50 RAIL T1	500	7,5	450
LN60 RAIL T1	600	7,5	550
LN80 RAIL T1	800	7,5	750

T2 Option



Catalog Code	Enclosure Height (mm)	Rail Height (mm)	Rail Width (mm)
LN30 RAIL T2	300	15	250
LN40 RAIL T2	400	15	350
LN50 RAIL T2	500	15	450
LN60 RAIL T2	600	15	550
LN80 RAIL T2	800	15	750



Wall Mounted Electrical / Automation / Industrial Boxes :

Wall Mounted Industrial / Automation / Electrical Boxes suitable for Electrical Distribution & Automation & Control purposes for indoor & outdoor applications. Wallmount or Pole-fixation. Adaptable for 19" rack units with extra accessories...

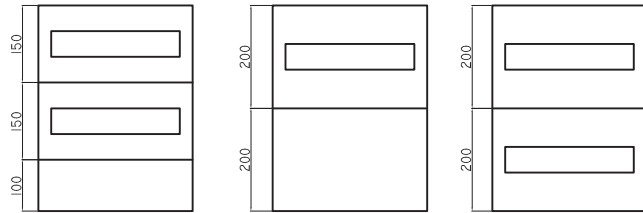
5. EQUIPMENTS (Continue):

5.4. Protective / Blank Panels & Mounting Frame:

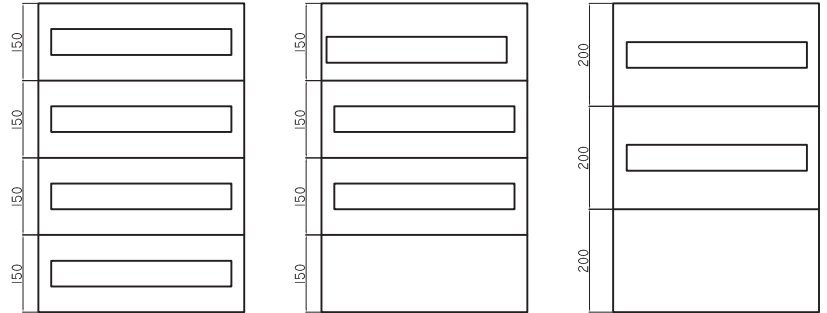
- Dimensions are fit to access from the front door, that give advantage to make all cabling at outside of enclosure
- Should be mounted in place of Mounting Plate. Same fittings can be used
- Shipping Configuration: Left and right vertical mounting frame and panels (Please check configuration alternatives)
- Panels are without screw, fixing is easy with slam latches
- Mounting Frame is pre-galvanised sheet metal and panels are painted RAL7035

CONFIGURATION ALTERNATIVES

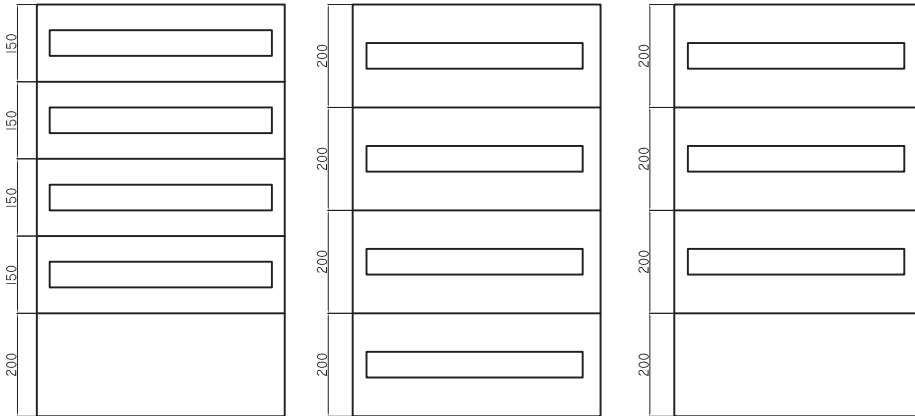
H = 400 mm



H = 600 mm



H = 800 mm



Catalog Code	Enclosure Size		Panel Configuration	
	Width (mm)	Height (mm.)	MCB Qty.	Panel Type(W:MCB Type / K:Blank Panel)
LN3040 PS T1	300	400	2 x 10	2ea. W(150mm) + 1ea. K(100mm)
LN3040 PS T2	300	400	1 x 10	1ea. W(200mm) + 1ea. K(200mm)
LN3040 PS T3	300	400	2 x 10	2ea. W(200mm)
LN4060 PS T1	400	600	4 x 16	4ea. W(150mm)
LN4060 PS T2	400	600	3 x 16	3ea. W(150mm) + 1ea. K(150mm)
LN4060 PS T3	400	600	2 x 16	2ea. W(200mm) + 1ea. K(200mm)
LN6080 PS T1	600	800	4 x 27	4ea. W(150mm) + 1ea. K(200mm)
LN6080 PS T2	600	800	4 x 27	4ea. W(200mm)
LN6080 PS T3	600	800	3 x 27	3ea. W(200mm) + 1ea. K(200mm)

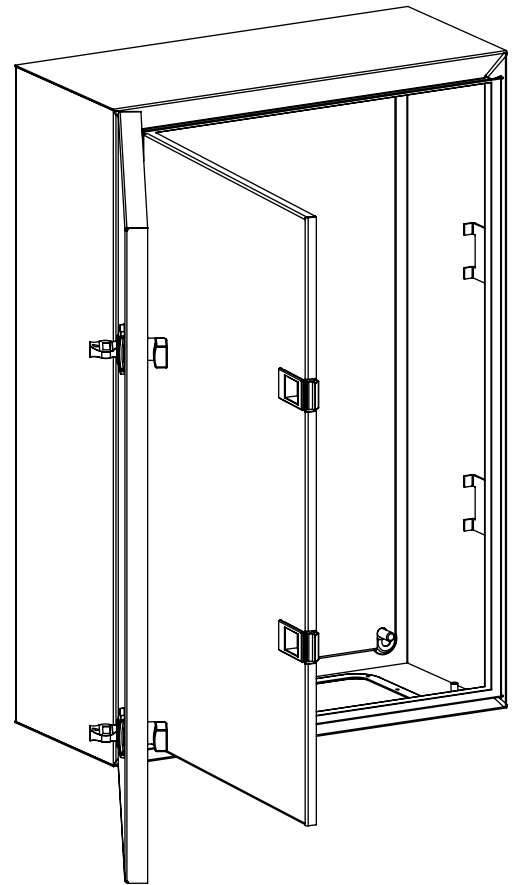
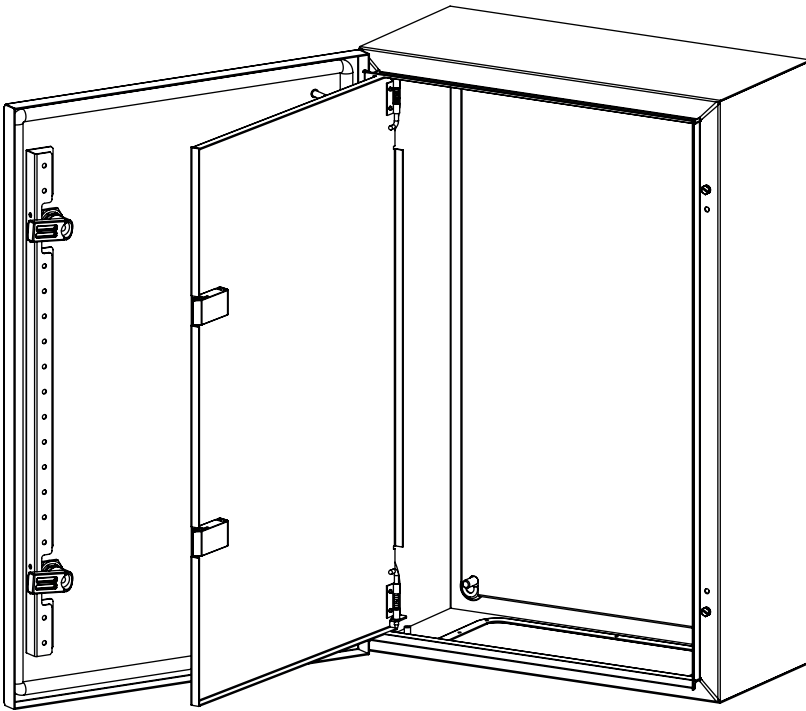
Wall Mounted Electrical / Automation / Industrial Boxes :

Wall Mounted Industrial / Automation / Electrical Boxes suitable for Electrical Distribution & Automation & Control purposes for indoor & outdoor applications. Wallmount or Pole-fixation. Adaptable for 19" rack units with extra accessories...

5. EQUIPMENTS (Continue):

5.5. Internal Door:

- To provide extra safety and covering for internal cabling and equipments
- Produced with DC01 Raw material and painted RAL7035 Epoxy-Polyester
- Easy to mount to existing enclosures / Right or Left opening also possible
- 90° of opening angle (while external door is fully opened)
- Easy to open&close with slam latches version
- Internal door maintain IP20 protection, when the external door is open



Catalog Code	Enclosure Size		Usable Dimensions	
	Width (mm)	Height (mm.)	Width (mm)	Height (mm.)
LN3040 IK	300	400	240	354
LN4060 IK	400	600	340	554
LN5060 IK	500	600	440	554
LN6080 IK	600	800	540	754

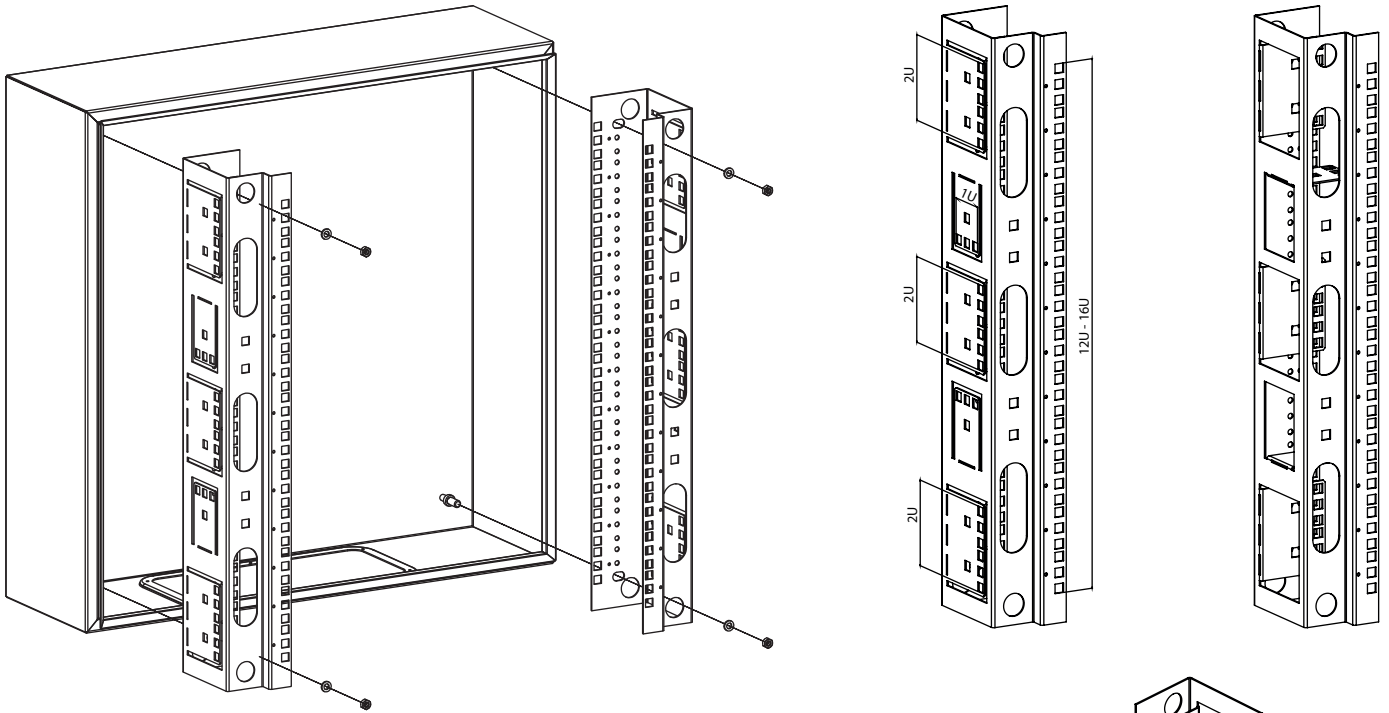
Wall Mounted Electrical / Automation / Industrial Boxes :

Wall Mounted Industrial / Automation / Electrical Boxes suitable for Electrical Distribution & Automation & Control purposes for indoor & outdoor applications. Wallmount or Pole-fixation. Adaptable for 19" rack units with extra accessories...

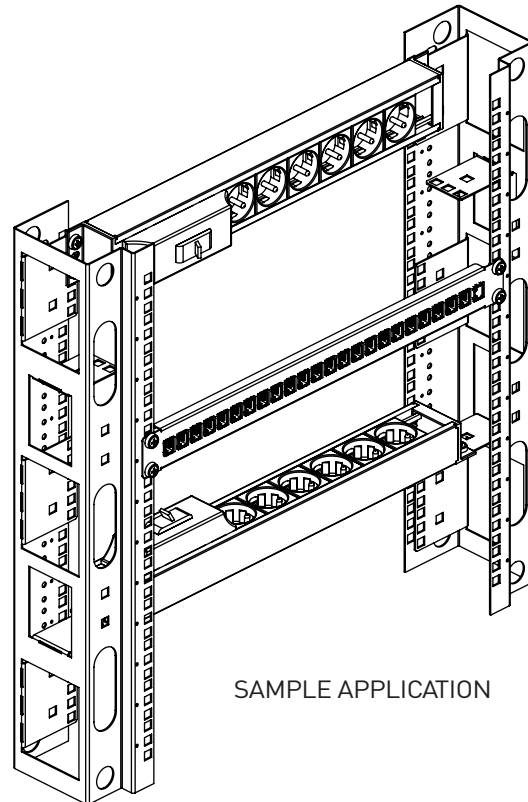
5. EQUIPMENTS (Continue):

5.6. 19" Frame - VDI Chassis:

- Enables integration of 19" VDI equipment in enclosures 600 mm or 800 mm wide and minimum 250 mm deep
- 1 set = 2 pcs of profile
- Produced with pre-galvanised material
- Should be mounted in place of Mounting Plate. Same fittings can be used
- Possible for horizontal or vertical 19" fixing
- Easy to fold 2U & 1U zones to place vertical or horizontal 19" devices or accessories



Catalog Code	Enclosure Size		
	Width (mm)	Height (mm.)	Width (mm)
LN12U	600	600	250
LN16U	600	800	250
	600	800	300
LN16U-88	800	800	300



SAMPLE APPLICATION

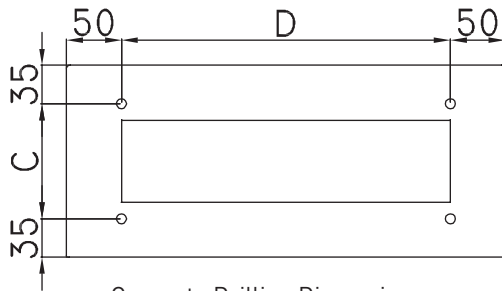
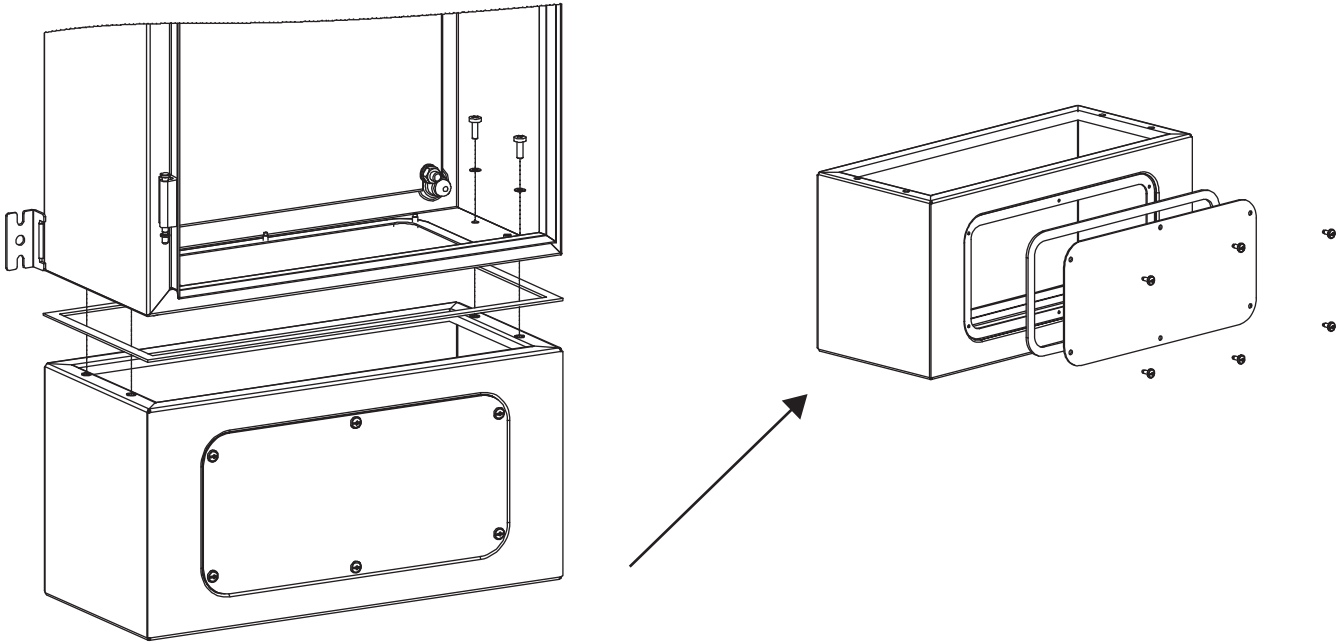
Wall Mounted Electrical / Automation / Industrial Boxes :

Wall Mounted Industrial / Automation / Electrical Boxes suitable for Electrical Distribution & Automation & Control purposes for indoor & outdoor applications. Wallmount or Pole-fixation. Adaptable for 19" rack units with extra accessories...

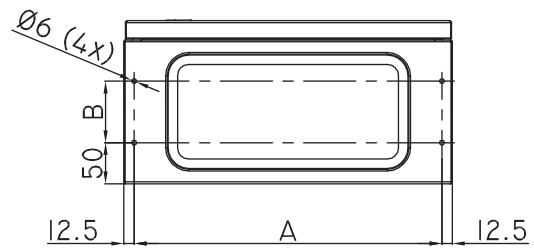
5. EQUIPMENTS (Continue):

5.7. Plinth:

- To be used to raise the enclosure from the ground level for outdoor applications
- Height of 250 mm. (Please ask for different height)
- Pre-Galvanised raw material + RAL7035 polyester painted
- Cable entry with EPDM sealing gasket in front side of plinth
- Enclosure should be drilled at the bottom side, according to drilling template to fix the plinth. Mount with M5x15 screws from inside of enclosure



Concrete Drilling Dimensions



Enclosure Bottom plate (Drilling Dimensions)

Catalog Code	Enclosure Size			Plinth Sizes			Enclosure Bottom Plate Drilling Dimensions		Concrete Drilling Dimensions	
	Width (mm)	Height (mm.)	Depth (mm)	Width (mm)	Height (mm.)	Depth (mm)	Width (mm)	Height (mm.)	Width (mm)	Height (mm.)
LN602530 BZ	600	800	300	600	250	300	575	175	500	230
	600	1000	300	600	250	300	575	175	500	230
	600	1200	300	600	250	300	575	175	500	230
LN802530 BZ	800	800	300	800	250	300	775	175	700	230
	800	1000	300	800	250	300	775	175	700	230
	800	1200	300	800	250	300	775	175	700	230

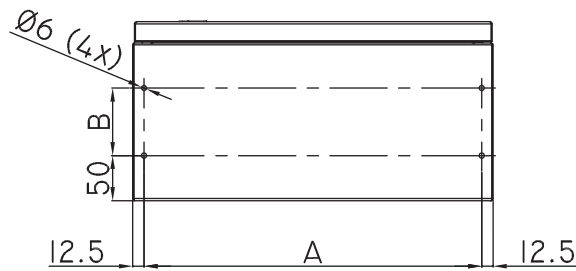
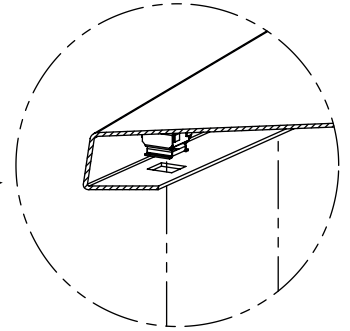
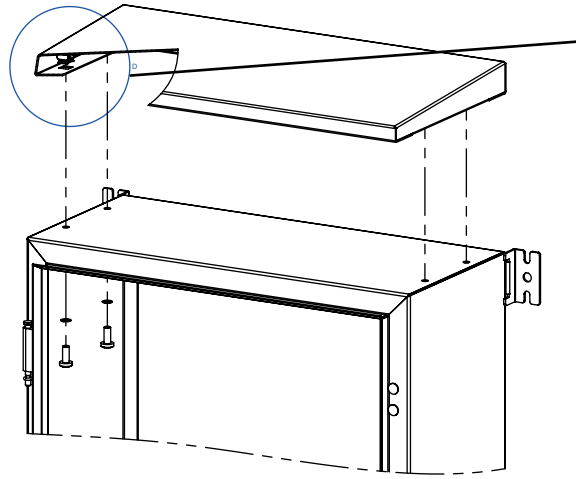
Wall Mounted Electrical / Automation / Industrial Boxes :

Wall Mounted Industrial / Automation / Electrical Boxes suitable for Electrical Distribution & Automation & Control purposes for indoor & outdoor applications. Wallmount or Pole-fixation. Adaptable for 19" rack units with extra accessories...

5. EQUIPMENTS (Continue):

5.8. Roof:

- Using to protect the enclosure from environmental conditions water, rain, snow etc
- Enclosure top plate shall be drilled acc to drilling template dimensions
- Fixed from inside of enclosure



Enclosure Top Plate (Drilling Dimensions)

Catalog Code	Enclosure Size			Roof Sizes			Enclosure Top Plate Drilling Dimensions	
	Width (mm)	Height (mm.)	Depth (mm)	Width (mm)	Height (mm.)	Depth (mm)	Width (A) (mm)	Height (B) (mm.)
LN3020 SPK	300	300	200	300	30	200	275	75
	300	400	200	300	30	200	275	75
LN4020 SPK	400	300	200	400	30	200	375	75
	400	400	200	400	30	200	375	75
	400	500	200	400	30	200	375	75
LN4025 SPK	400	600	200	400	30	200	375	75
	400	500	250	400	30	250	375	125
LN5025 SPK	400	600	250	400	30	250	375	125
	500	500	250	500	30	250	475	125
	500	600	250	500	30	250	475	125
LN6025 SPK	500	700	250	500	30	250	475	125
	600	400	250	500	30	250	575	125
LN6030 SPK	600	600	250	500	30	250	575	125
	600	800	250	500	30	250	575	125
	600	800	300	600	30	300	575	175
LN8030 SPK	600	1000	300	600	30	300	575	175
	600	1200	300	600	30	300	575	175
	800	800	300	800	30	300	775	175
LN8030 SPK	800	1000	300	800	30	300	775	175
	800	1200	300	800	30	300	775	175
	800	1200	300	800	30	300	775	175

5.9. Lock Options:

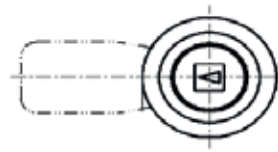
- Alternative locks can be applied on enclosure instead of standard lock



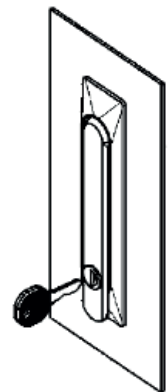
Standard Lock



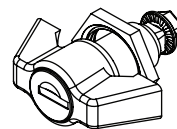
Triangle Lock



Square Lock



Handle Type Lock
(Single or 3P locking)



Short Handle Lock

Catalog Code	Definition
LN 1000-U045	*Triangle / EMKA brand
LN 1000-U2	*Square / EMKA brand
LN 1000-U345	*Key with short handle type lock / EMKA brand
LN 1150-U61	*Handle type lock / EMKA brand
LN 1150-U61 3P	*Handle type lock / EMKA brand / 3 point locking

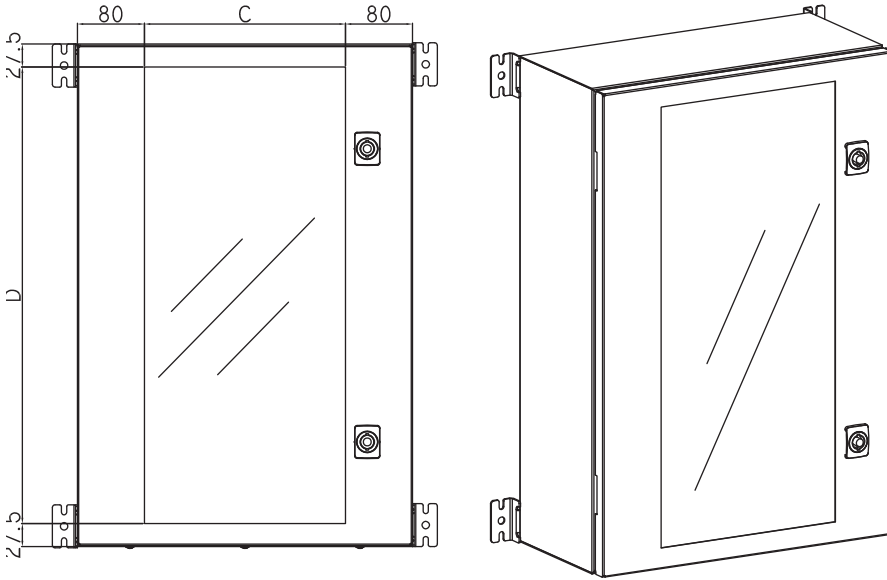
Wall Mounted Electrical / Automation / Industrial Boxes :

Wall Mounted Industrial / Automation / Electrical Boxes suitable for Electrical Distribution & Automation & Control purposes for indoor & outdoor applications. Wallmount or Pole-fixation. Adaptable for 19" rack units with extra accessories...

5. EQUIPMENTS (Continue):

5.10. Glass Type Door (Type-1):

- Secure Glass with metallic frame
- Polyurethane sealing gasket to provide water&dust ingress

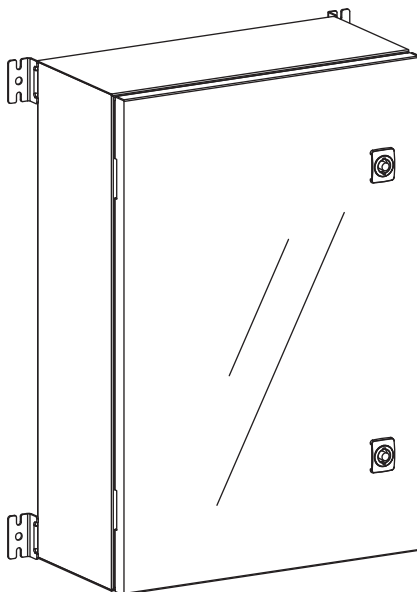


Catalog Code	Enclosure Size		Glass Visual Area Dimensions	
	Width (mm)	Height (mm.)	Width (C) (mm)	Height (D) (mm.)
LN3040 CK T1	300	400	140	345
LN4050 CK T1	400	500	240	445
LN4060 CK T1	400	600	240	545
LN5060 CK T1	500	600	340	545
LN5070 CK T1	500	700	340	645
LN6060 CK T1	600	600	440	545
LN6080 CK T1	600	800	440	745
LN60100 CK T1	600	1000	440	945
LN80100 CK T1	800	800	640	745

5. EQUIPMENTS (Continue):

5.11. Glass Type Door (Type-2):

- Secure Glass with metallic frame
- Polyurethane sealing gasket to provide water&dust ingress



Catalog Code	Enclosure Sizes	
	Width (mm)	Height (mm.)
LN3040 CK T2	300	400
LN4050 CK T2	400	500
LN4060 CK T2	400	600
LN5060 CK T2	500	600
LN5070 CK T2	500	700
LN6060 CK T2	600	600
LN6080 CK T2	600	800
LN60100 CK T2	600	1000
LN80100 CK T2	800	800

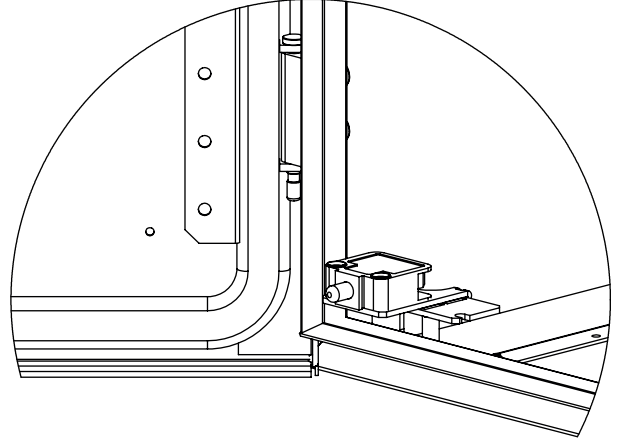
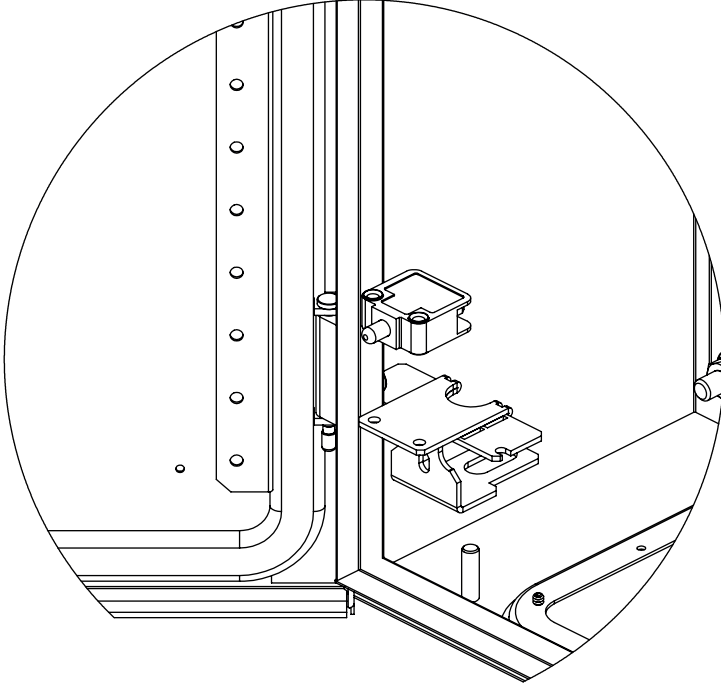
Wall Mounted Electrical / Automation / Industrial Boxes :

Wall Mounted Industrial / Automation / Electrical Boxes suitable for Electrical Distribution & Automation & Control purposes for indoor & outdoor applications. Wallmount or Pole-fixation. Adaptable for 19" rack units with extra accessories...

5. EQUIPMENTS (Continue) :

5.12. Door Switch Mounting Part :

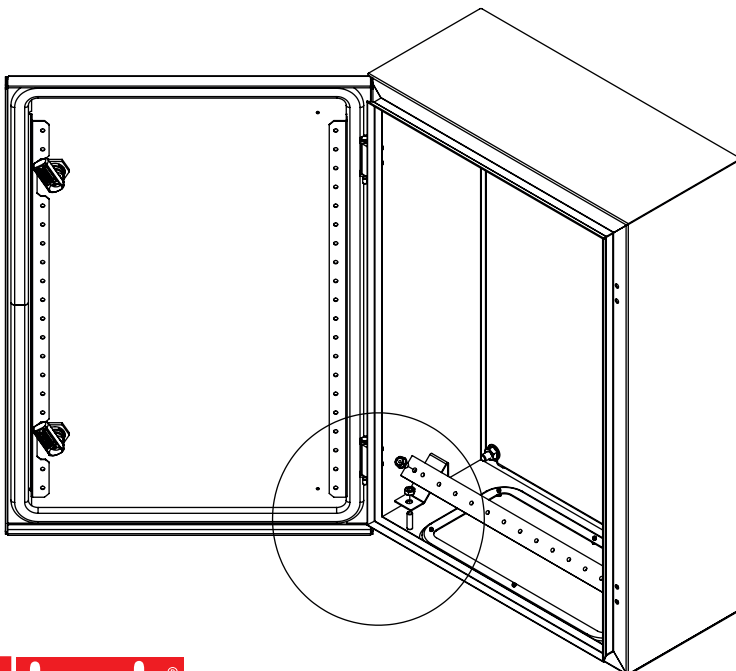
- Easy to fix to grounding studs on enclosures bottom surface
- Door switch is not included in set



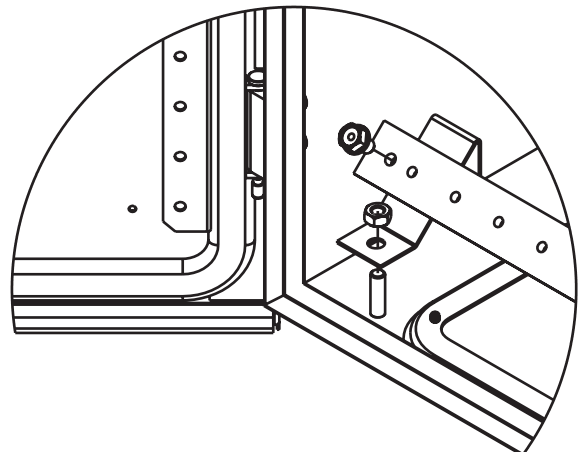
Catalog Code	Definition
LN KP SW	Door Switch Mounting Part (switch not included)

5.13. Grounding Busbar Mounting Part (Terminal Support):

- Set of two support brackets for copper bar or terminal rail
- Easy to fix on grounding studs in enclosures (bottom left and right)
- Grounding bar is not included in set



Catalog Code	Definition
LN BT	Grounding Bar Support (Grounding bar is not included in set)



Wall Mounted Electrical / Automation / Industrial Boxes :

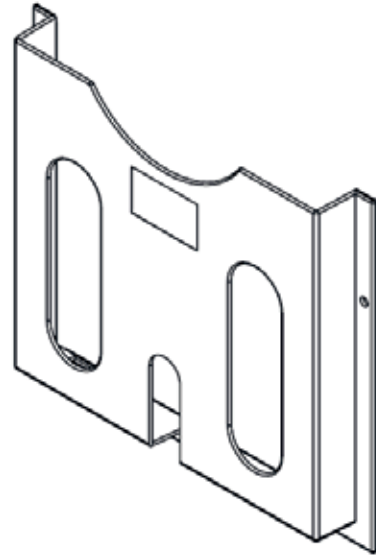
Wall Mounted Industrial / Automation / Electrical Boxes suitable for Electrical Distribution & Automation & Control purposes for indoor & outdoor applications. Wallmount or Pole-fixation. Adaptable for 19" rack units with extra accessories...

5. EQUIPMENTS (Continue) :

5.14. Document Holder Bag:

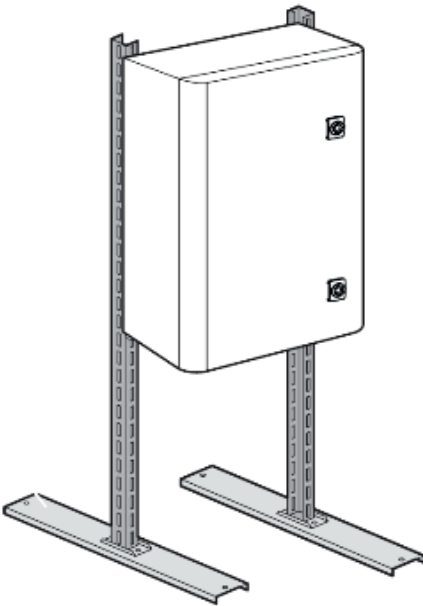
- Made of plastic
- Easy to fix on door with self adhesive tape
- A4 / A5 dimensions are available

Catalog Code	Definition
LN A4 PC	A4 DOCUMENT HOLDER BAG
LN A5 PC	A5 DOCUMENT HOLDER BAG



5.15 : Floor mounting on stand:

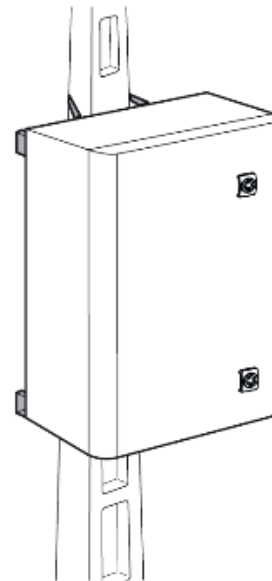
- Using to mount enclosure on two vertical poles.
- Easy fix from 4 corner fixation holes in corners of enclosure



Catalog Code	Definition
LN PMS...	Please ask for special dimension requests

5.16. Pole Mounting Equipment:

- Using to mount enclosure on vertical poles



Catalog Code	Definition
LN PDMA	Please ask for special dimension requests



HEAD OFFICE

Safa Mah. Atatürk Cad. Yağız Sok. No:4
Yenidoğan - Sancaktepe - İstanbul / TURKEY

Tel : +90 216 312 2653 pbx

Fax: +90 216 312 0909

FACTORY

20. Cadde No: 14 Eskişehir Organize Sanayi
Bölgesi 26110 Eskişehir / TURKEY

Tel: +90 222 236 2466 pbx

Fax: +90 222 236 1353

