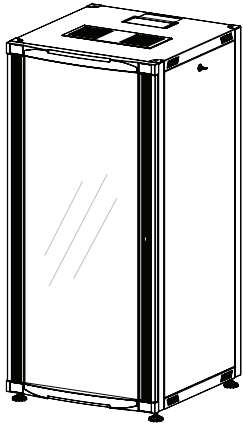
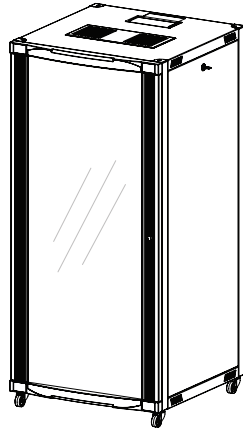


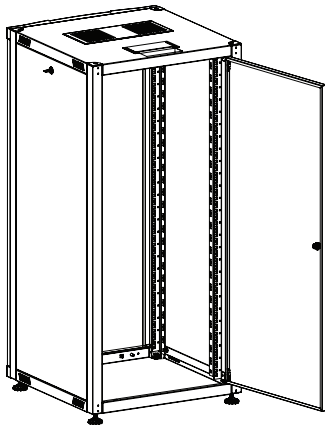
CASE STUDY
DRAWINGS



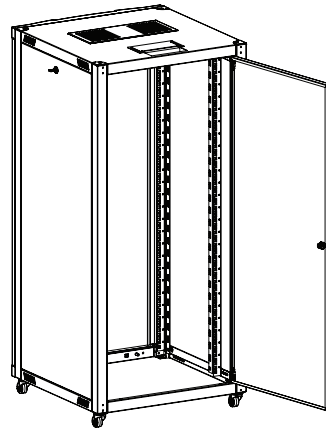
ISOMETRIC VIEW
WITH
LEVELING FEET



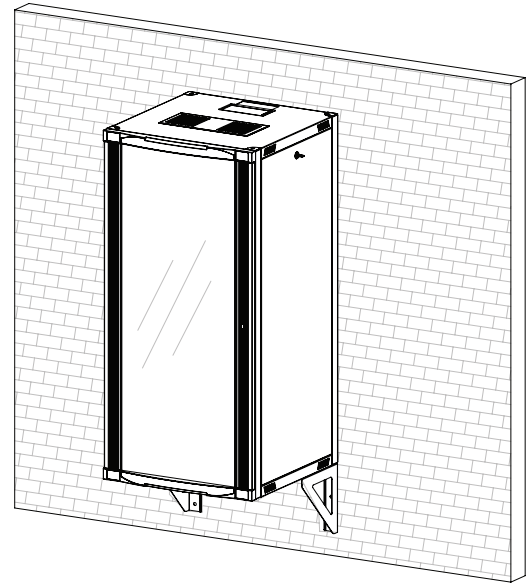
ISOMETRIC VIEW
WITH
CASTER SET



ISOMETRIC REAR VIEW
WITH LEVELING FEET WITH
HINGED REAR DOOR



ISOMETRIC REAR VIEW
WITH CASTER SET WITH
HINGED REAR DOOR



ISOMETRIC VIEW WITH WALL SUPPORT BRACKETS



NETbox Wall Mounting Cabinet W=600mm D=600mm
FRONT DOOR Options

- 1 Single Opening, Flat Shape, Side Framed Glass Front Door, Single Point Barrel Locking.
- 2 Single Opening, Flat Shape, Complete Solid Metal Front Door, Single Point Barrel Locking
- 3 Single Opening, Curved Shape, Side Framed Glass Front Door, Single Point Barrel Locking.

NETbox Wall Mounting Cabinet W=600mm D=600mm
REAR DOOR Options

- 1 Factory Configured Screwed and Mechanically Locked Rear Panel included
- 2 Hinged and barrel single point locking rear door

NETbox Wall Mounting Cabinet
W=600mm D=600mm
SIDE PANEL Options

- 1 NO Option, Factory Configured Side Panels are included

LN-AA

XXU

WW

DD

CC

LN Corporate codification beginning letters mentioning Lande in Short Format as LN

AA Family Group of Enclosure; FS for Free Standing cabinets, WM for Wall Mounting Cabinets, SH for Small office Home office Range, SR for Server enclosure Range, SL for Slim series, RS for Home series wall cabinets

XX Numeric Character defining the height of enclosures, depending on model differences between 12 to 45 to be selected from price list, website or catalogue

U U Height Alfanumeric Notation, concrete (non editable- fixed character)

WW The First 2 digits of the width info, 60 for W=600mm, 80 for W=800mm, 54 for W=540mm, 30 for W=300mm Soho 10" enclosure

DD The First 2 digits of the depth info, 45 for D=450mm, 40 for D=400mm, 60 for D=600mm, 80 for D=800mm, 10 for D=1000mm cabinets

CC Color Code, LG for Light Grey RAL 7035, BL for Black RAL 9005

000

0 Front Door Variation number, numeric character 1 to 9 / 0 means no front door, standard front door defined in Lande System as option 1., Please select other variations if needed from above door selection drawing. Unless defined option 1 should be delivered

0 Rear Door Variation number, numeric character 1 to 9 / 0 means no rear door, standard rear door defined in Lande System as option 1., Please select other variations if needed from above door selection drawing. Unless defined option 1 should be delivered

0 Side Panel/Door Variation number, numeric character 1 to 9 / 0 means no side panel on product, standard side panel/door defined in Lande System as option 1. Unless defined option 1 should be delivered



19" NETbox Double Section for WALL MOUNTING CABINETS

FEATURES of Rear Wall Section:

All Lande NETbox Wall Cabinets are proper for Rear Section Unit.

Rear Section is Heavy Duty Welded framed construction. 2,0mm thickness material welded as multi layer system creates at wall fixing provision a thickness of 4,0mm.

A PVC cable entry gland plate is available at the wall side welcomes if any cable comes up from wall, and back section to be align directly to the provision of cable run through.

19" provision located at rear section module, which allows if any passive less depth cabling component needs to be housed, while the cable bundles could be housed inside the 100mm depth empty housing box.

Triangular, positioning brackets buried into the 100mm rear housing box for alignment and raising a heavy load capability.

Spanner style special locking mechanism captures the rear 100mm box, in the welded 50mm depth frame, which integrates the rear section to the main NETbox wall cabinet.

Top and Bottom of the rear section module has cable entry cut-outs closed with Brushed cable entry provisions.

A specific flange system designed for heavy duty structure, where 50kgs of front NETbox wall cabinet total load is being carried without any problem. The 50 kgs of load capacity exists and performs while cabinet is in swinging position.

*** 50 kgs load capacity measured at integrated frontal wall cabinet of d:450mm

NETbox Rear Section Module, can be integrated to d:450mm version wall mounting cabinet, which overall cabinet dimension to be 450+150=600mm, the load capacity is 50kgs

Once a deeper equipment to be fitted for the same purposes, NETbox Rear Section can be integrated to d:600mm version wall mounting cabinet, which overall cabinet dimension to be 600+150=750mm, the load capacity is losing at a rate of % 30, than 35 kgs of load could be operated at swinging position.

*** At 600 + 150mm configuration, recommended to use for free standing purposes.

NETbox Rear Section Units are being sold as a separate Unit, later to be integrated to any of available NETbox wall mounting cabinet. This feature simply offers a flexibility and availability since if there is stocked wall mounting cabinet available in warehouses, customer should need to order only the Rear Section Unit. After removing the rear panel of existing Wall mounting cabinet, only 4 screws to be tighten again for integration of Rear Section Unit.

NETbox Rear section swinging direction could be managed easily, due to assembly placement availability, opening left to right or right to left is not a problem.

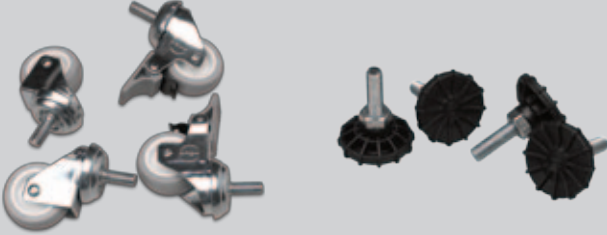
Lande NETbox Rear Sections are in RAL 7016 Anthracite Grey color from stock.



WALL MOUNTING CABINETS

ADDITIONAL FEATURES of Rear Section integrated NETbox DOUBLE SECTION WALL MOUNTING CABINETS:

The Feature of integration with Caster group or PVC adjustable leveling feet group is applicable for double section wall mounting cabinet if intended to use as free standing cabinet purposes.



Please see detailed description in accessory section.

Part numbers to order:

*** LN-ZMN-TKR-5020-XX for Caster Group Set

LN-ZMN-PNY-1040-XX for PVC Leveling Feet Group Set

Once using the Lande NETbox double section wall cabinets for Free standing purposes, and access from rear of the enclosure could be managed by swinging capability of rear section.

Lande NETbox wall cabinets are being delivered with 1set: 2pcs 19" Rails.

Once a 4 point fixing shelf or any other 4 point fixing equipment to be installed in double section wall mounting cabinets, an additional set of 19" rails to be ordered. With this application it is possible to locate some deeper networking devices as well some heavy equipments like UPS's etc.

Part numbers to order:

***LN-PRF-CMD-xx UD-ZN

Define xx as the U height of intended NETbox wall cabinet to be used

Example Part Nr: LN-PRF-CMD-07UD-ZN

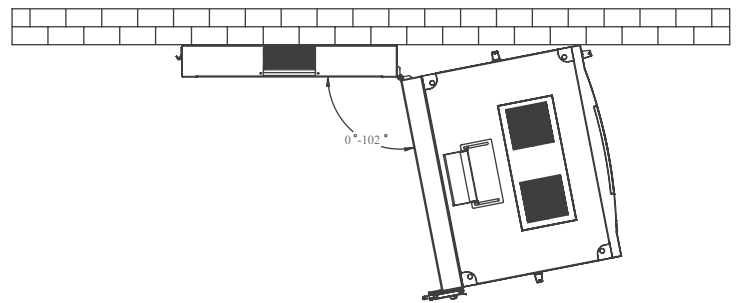
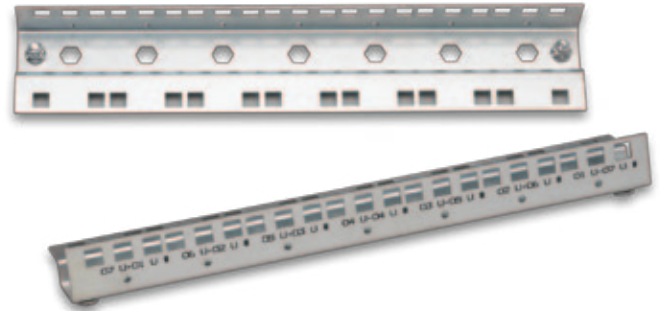
Please see detailed description in accessory section.

NETbox Double Section cabinets has the same front door variations like d:450 or d:600mm

NETbox Rear Section Module, can be swinging up to 102 degree opening angle because of the wall to stop swinging capability, which is the best performance in its segment. If cabinet is used as free standing cabinet than 180 degree swinging is possible.

While cabinet is on wall a straight access could be managed to enclosure in fully swing out position.

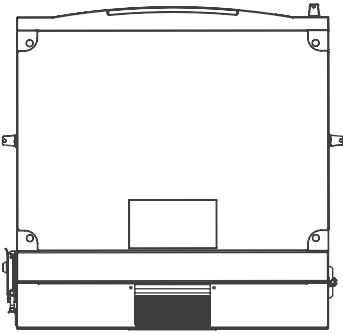
** Of course if the cabinet is assembled to a column or end of wall , which the swinging capability has not been stopped by wall or any other stopper, than can swing up to 180 degree.



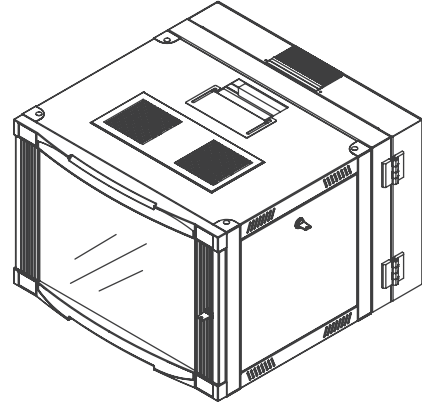
DOUBLE SECTION OPENING ANGLE



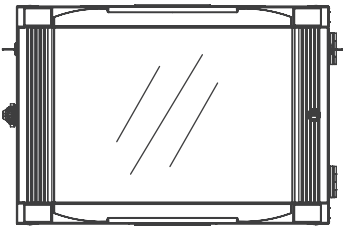
DOUBLE SECTION
CONSTRUCTION
DRAWING



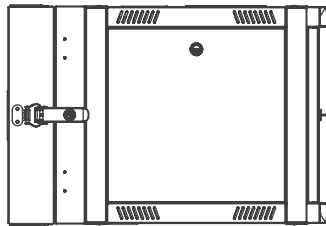
TOP VIEW



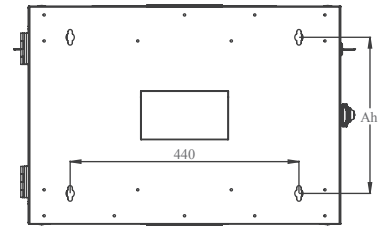
ISOMETRIC VIEW



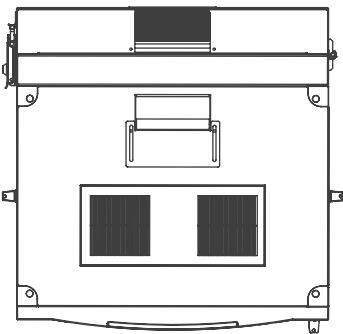
FRONT VIEW



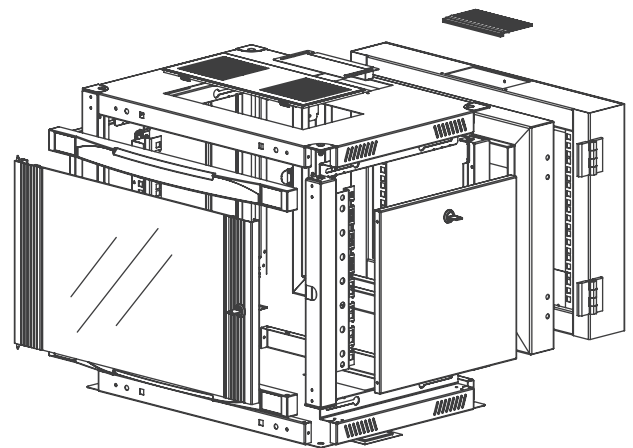
SIDE VIEW



REAR VIEW

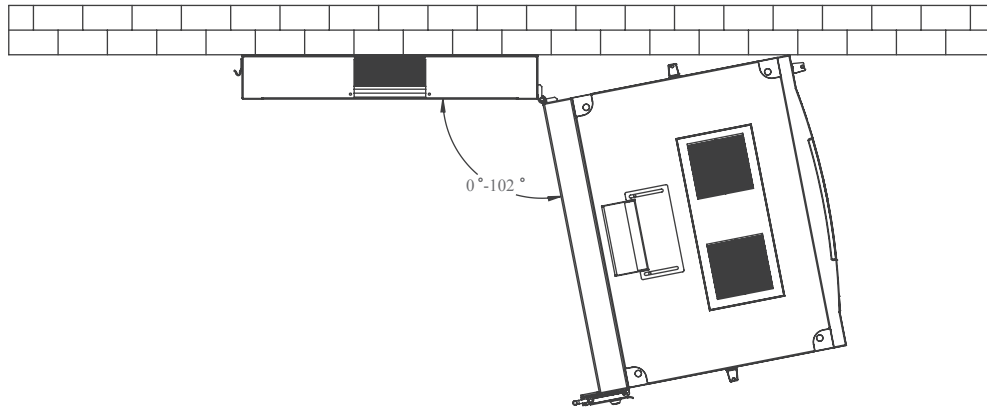


BOTTOM VIEW

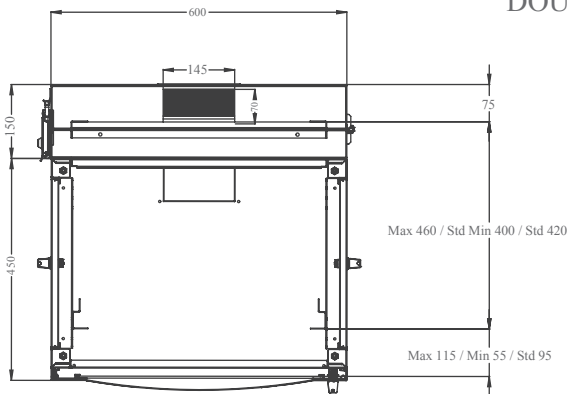


EXPLODED VIEW

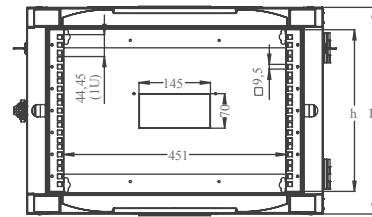
DOUBLE SECTION
CONSTRUCTION
DRAWING



DOUBLE SECTION OPENING ANGLE



MAX/STD/MIN EQUIPMENT
MOUNTING DISTANCE



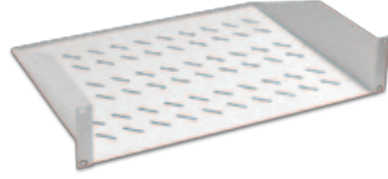
DIMENSIONS IN
WIDTH AND HEIGHT

NETbox Series Wall Mounting 19" Cabinets REAR SECTION MODULE W=600mm D=150mm

ROOT Product Number ***	Product Description	Size WXD _X H _H mm	h size in U	h in mm	H mm, overall	Width Overall mm	A _h Wall Mounting h mm	Width Rail to Rail	Depth Overall mm	QTY IN PACKAGE	PACKING DIMENSIONS W _X D _X H _H mm	Standard NET Weight of product kgs	Gross Weight of Product kgs
LN-WM07U6015-AG	NETbox Wall Mounting Cabinet 7U Rear Section	600x150x423	7U	311	423	600	300	19"	150	1	655x175x420	8,2	8,8
LN-WM09U6015-AG	NETbox Wall Mounting Cabinet 9U Rear Section	600x150x512	9U	400	512	600	389	19"	150	1	655x175x510	10,4	11,3
LN-WM12U6015-AG	NETbox Wall Mounting Cabinet 12U Rear Section	600x150x646	12U	533	646	600	522	19"	150	1	655x175x645	13,3	15
LN-WM16U6015-AG	NETbox Wall Mounting Cabinet 16U Rear Section	600x150X824	16U	711	824	600	700	19"	150	1	655x175x625	18	20
LN-WM20U6015-AG	NETbox Wall Mounting Cabinet 20U Rear Section	600x150X1001	20U	889	1001	600	878	19"	150	1	655x175x1010	21,3	25

***AG= Anthracite Grey RAL 7016.

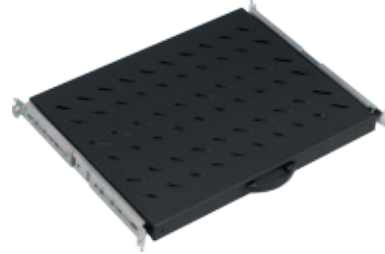
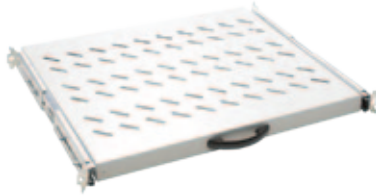
Frequent Used Accessory Selection Chart



Frequent Used Accessories 19" NETbox Wall Mounting Cabinets w:width mm d:depth mm

	NETbox Wall w:600xd:450	NETbox Wall w:600xd:600	NETbox Wall w:600xd:150 integrated double section d:450+150 or d:600+150
Rack Mount Shelves	LN-RAF-RMO-1U25-CC LN-RAF-RMO-2U35-CC	LN-RAF-RMO-1U25-CC LN-RAF-RMO-2U35-CC	LN-RAF-RMO-1U25-CC LN-RAF-RMO-2U35-CC

**CC is color code: please insert BL for Black and LG for Light Grey on the part numbers while creating order



Frequent Used Accessories 19" NETbox Wall Mounting Cabinets w:width mm d:depth mm

	NETbox Wall w:600xd:450	NETboxWall w:600xd:600	NETbox Wall w:600xd:150 integrated double section d:450+150 or d:600+150
Sliding Shelves	-	***LN-RAF-HRK-D600-CC	***LN-RAF-HRK-D600-CC

**CC is color code: please insert BL for Black and LG for Light Grey on the part numbers while creating order

*** Can be used once additional set of 19" rails to be ordered for rear side of the cabinet

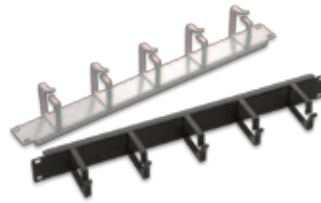


Frequent Used Accessories 19" NETbox Wall Mounting Cabinets w:width mm d:depth mm

	NETbox Wall w:600xd:450	NETboxWall w:600xd:600	NETbox Wall w:600xd:150 integrated double section d:450+150 or d:600+150
1 fan Units on/off switched	LN-FAN-ONF-1FWM-CC	LN-FAN-ONF-1FWM-CC	LN-FAN-ONF-1FWM-CC
1 fan Units with Thermostatic control Unit	LN-FAN-THM-1FWM-CC	LN-FAN-THM-1FWM-CC	LN-FAN-THM-1FWM-CC
2 fan Units on/off switched	LN-FAN-ONF-2FWM-CC	LN-FAN-ONF-2FWM-CC	LN-FAN-ONF-2FWM-CC
2 fan Units with Thermostatic control Unit	LN-FAN-THM-2FWM-CC	LN-FAN-THM-2FWM-CC	LN-FAN-THM-2FWM-CC

**CC is color code: please insert BL for Black and LG for Light Grey on the part numbers while creating order

Frequent Used Accessory Selection Chart



Frequent Used Accessories 19" NETbox Wall Mounting Cabinets w:width mm d:depth mm

	NETbox Wall w:600xd:450	NETbox Wall w:600xd:600	NETbox Wall w:600xd:150 integrated double section d:450+150 or d:600+150
Horizontal Cable Management Panel 19" 1U 5 rings	LN-KDG-YKD-1UKN-CC	LN-KDG-YKD-1UKN-CC	LN-KDG-YKD-1UKN-CC

**CC is color code: please insert BL for Black and LG for Light Grey on the part numbers while creating order



Frequent Used Accessories 19" NETbox Wall Mounting Cabinets w:width mm d:depth mm

	NETbox Wall w:600xd:450	NETbox Wall w:600xd:600	NETbox Wall w:600xd:150 integrated double section d:450+150 or d:600+150
Caster Group 2 w/breakes 2 wo/breakes	LN-ZMN-TKR-5020-XX	LN-ZMN-TKR-5020-XX	LN-ZMN-TKR-5020-XX



Frequent Used Accessories 19" NETbox Wall Mounting Cabinets w:width mm d:depth mm

	NETbox Wall w:600xd:450	NETbox Wall w:600xd:600	NETbox Wall w:600xd:150 integrated double section d:450+150 or d:600+150
PDU 6 way Schuko with 1x16A cct breaker	LN-PRZ-SGT-1U6P-SC	LN-PRZ-SGT-1U6P-SC	LN-PRZ-SGT-1U6P-SC



Frequent Used Accessories 19" NETbox Wall Mounting Cabinets w:width mm d:depth mm

	NETbox Wall w:600xd:450	NETbox Wall w:600xd:600	NETbox Wall w:600xd:150 integrated double section d:450+150 or d:600+150
PDU Economic 6 way Schuko on/off switch	LN-PRZ-EKO-1U6P-SC	LN-PRZ-EKO-1U6P-SC	LN-PRZ-EKO-1U6P-SC



Frequent Used Accessories 19" NETbox Wall Mounting Cabinets w:width mm d:depth mm

	NETbox Wall w:600xd:450	NETbox Wall w:600xd:600	NETbox Wall w:600xd:150 integrated double section d:450+150 or d:600+150
Mounting Hardware, Fixing M6 Cage nut set of 20	LN-DGR-KFS-M620-XX	LN-DGR-KFS-M620-XX	LN-DGR-KFS-M620-XX